

Pendulum console tip pillar 4000XF

Product information

A practical component mounted on the rear tailgate of a tipper, equipped with a guide system that enables opening in two planes. It allows the tailgate to open from the bottom for rear discharge, as well as from the top in a traditional way. This solution enhances vehicle functionality and facilitates unloading of various materials.

Код товара

Model

Вес
kg

Delivery time

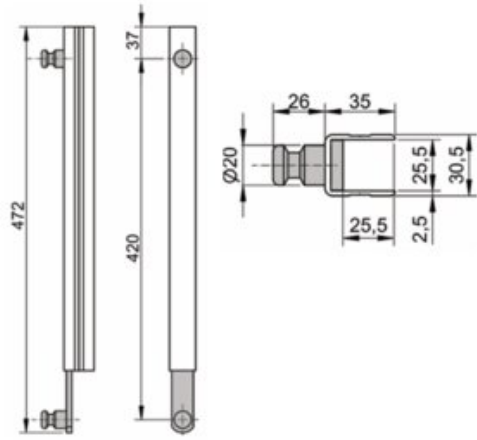
35070011F

Pendulum console

0,95

2

Blueprint



Pendulum console