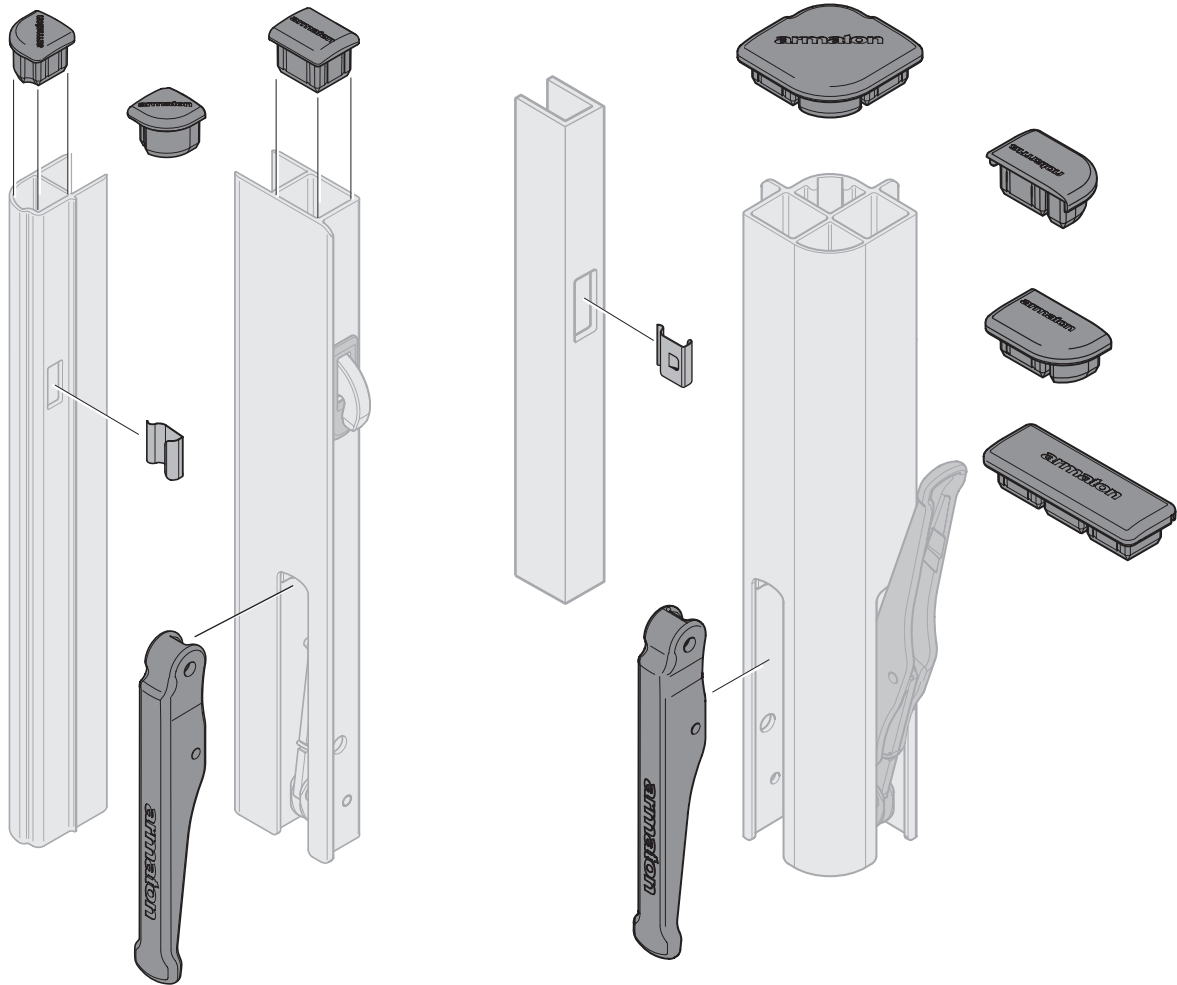
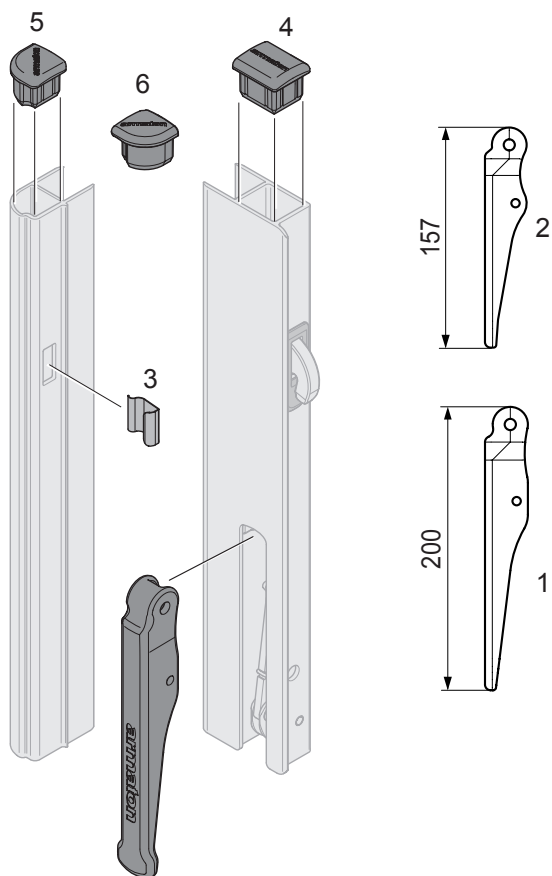


Spare parts

Armaton 3000XF, Armaton 4000XF



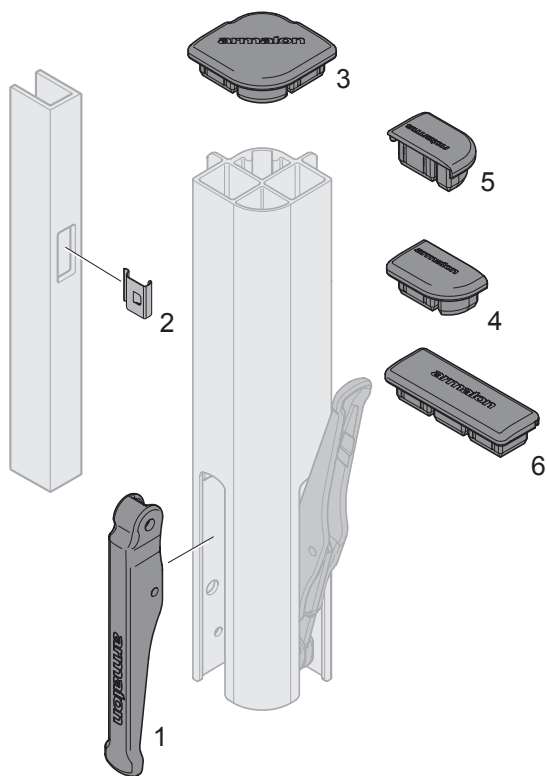
Spare parts



Armaton 3000 XF

Pos	Part no	Description
1	510410001	Handle kit*, fits 400 mm
2	510210009	Handle kit*, fits 300 and 350 mm
3	510210014	Wear clip
4	510210001	Plastic cap, pillar L/R
5	510210002	Plastic cap, edge cap L
6	510210003	Plastic cap, edge cap R

*The handle kit includes handle, cotter and withdrawing tool.



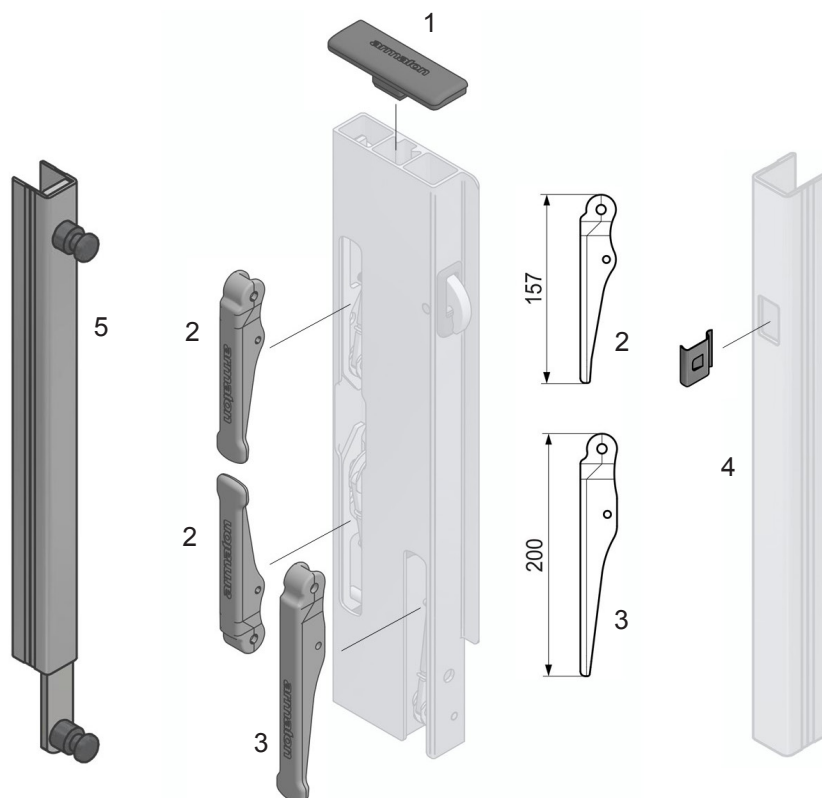
Armaton 4000 XF

Pos	Part no	Description
1	510410001	Handle kit*,
2	510210014	Wear clip
3	510210007	Plastic cap, rear pillar
4	510210005	Plastic cap, front pillar R
5	510210004	Plastic cap, front pillar L
6	510210006	Plastic cap, side pillar

* The handle kit includes handle, cotter and withdrawing tool.

Spare parts

Armaton 4000 XF Tip Pillar



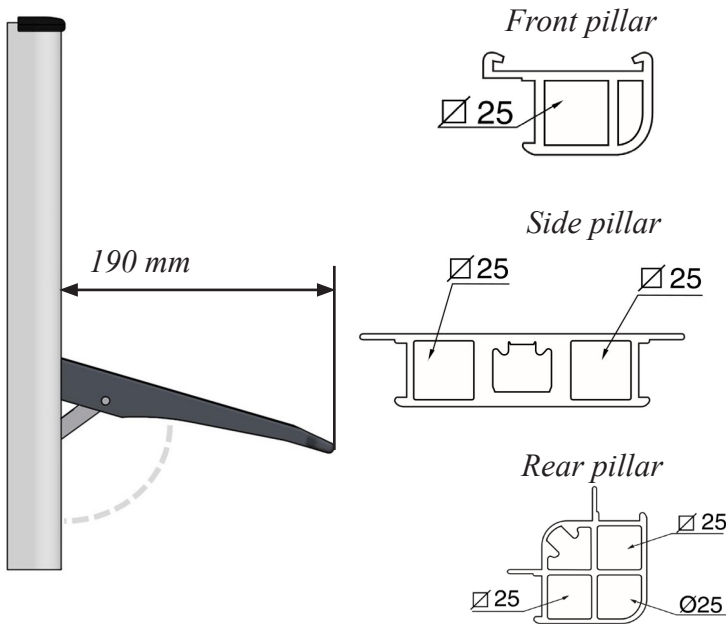
Pos	Part no	Description
1	510410002	Plastic cap L/R
2	510210009	Handle kit*
3	510410001	Handle kit*
4	510210014	Wear clip
5	510310033	Pendulum console

* The handle kit includes handle, cotter and withdrawing tool.

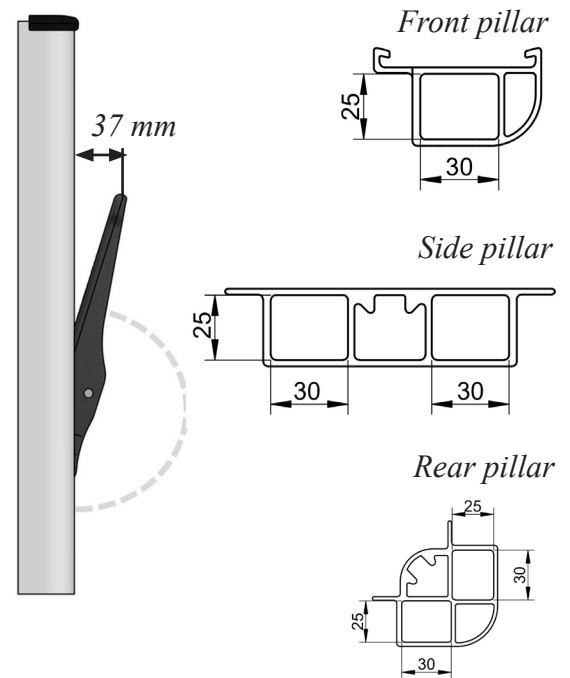
Identify old version of Armaton

Product version identified by the handle position when pulled out to maximum and also by the profile measurements.

Armaton (Old version)



Armaton XF (New version)

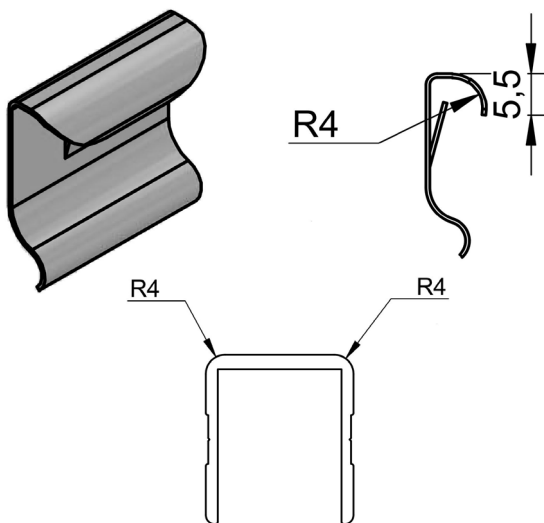


Spare parts Armaton 3000, 4000 and 5000

Part no: 510410025 Handle kit*

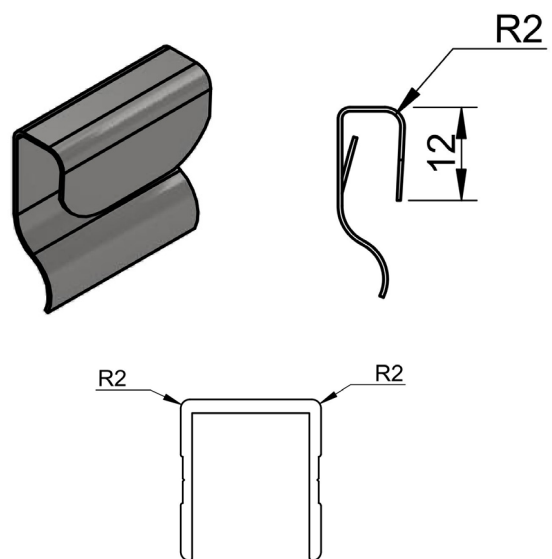
* The handle kit includes handle, cotter and withdrawing tool.

Wear clip



Part no: 510210014

Suitable for AL-profiles with corner radius 4mm.



Part no: 510210009

Suitable for AL-profiles with corner radius 4mm.

