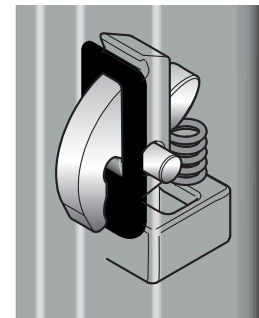
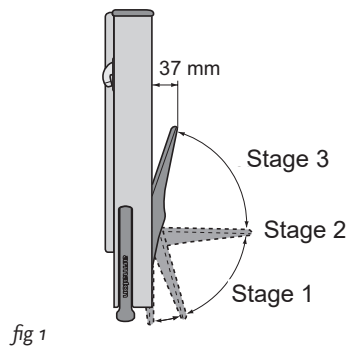


## Armaton 4000 XF

Armaton 4000 XF – a weight-optimized platform pillar system for the maximum possible payload for vehicles with a load capacity of up to 6000 kg. The platform pillar is easy to use, durable and ergonomic – a natural choice if you need all the advantages of flexibility and stability when building superstructures for coverings etc.

The unique 160° handle action simplifies loading and unloading. The handle is also replaceable. With a frame of anodized aluminum and component parts of the highest quality, the product is to all intents and purposes maintenance-free.

In addition to the pillars there are a wide range of fittings to cover most requirements. Armaton 4000 XF is available in three standard dropside heights: 300, 400 and 600 mm, except for the tip pillar which is only available as 400 mm, see specification.



### Unique handle action

Loading and unloading is simplified thanks to the unique 160° handle action, plus there is less risk of injury, see fig 1.

### Enhanced safety

The locking mechanism has a three-stage action to improve safety.

- Stage 1: Balanced position
- Stage 2: The lock hook is not actuated, clearance
- Stage 3: The lock hook opens, see fig 1.

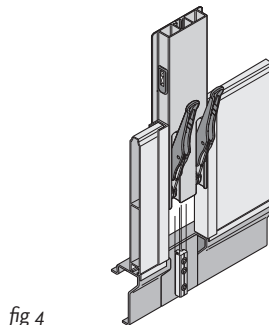
### No freeplay, great gathering ability

The latch is spring-loaded so that together with the wear plate it takes up all the freeplay in all directions between the pillar and the dropside. The design is optimized for the greatest possible gathering ability. This gives a simple, smooth and distinct locking action, see fig 2.



### Simple to supplement with superstructure

Do you need to fit covers or other or other equipment?  
Remove the plastic cap and adjust your adapter to the profile and just keep building, see fig 3.

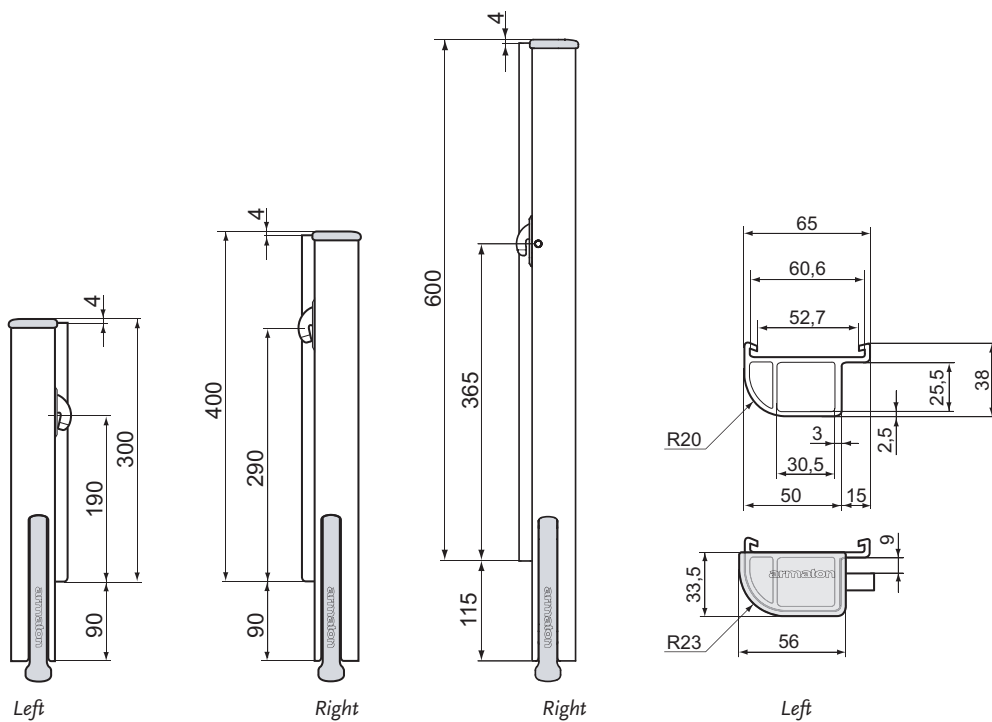


### Stable and safe attachment

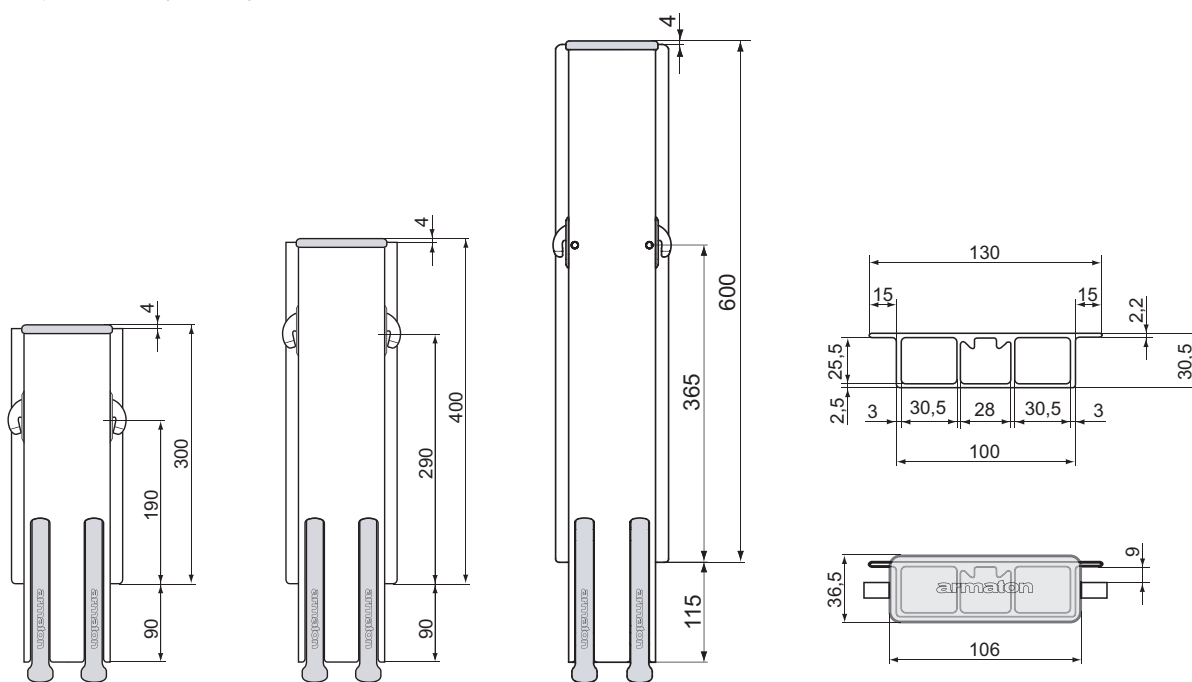
The side and rear pillars can, if necessary, easily be lifted off from the attachment in open position. In closed position they are locked securely, see fig 4.

### Replaceable handles, reduced maintenance costs

A special handle kit is available as a spare part, for easy replacement.



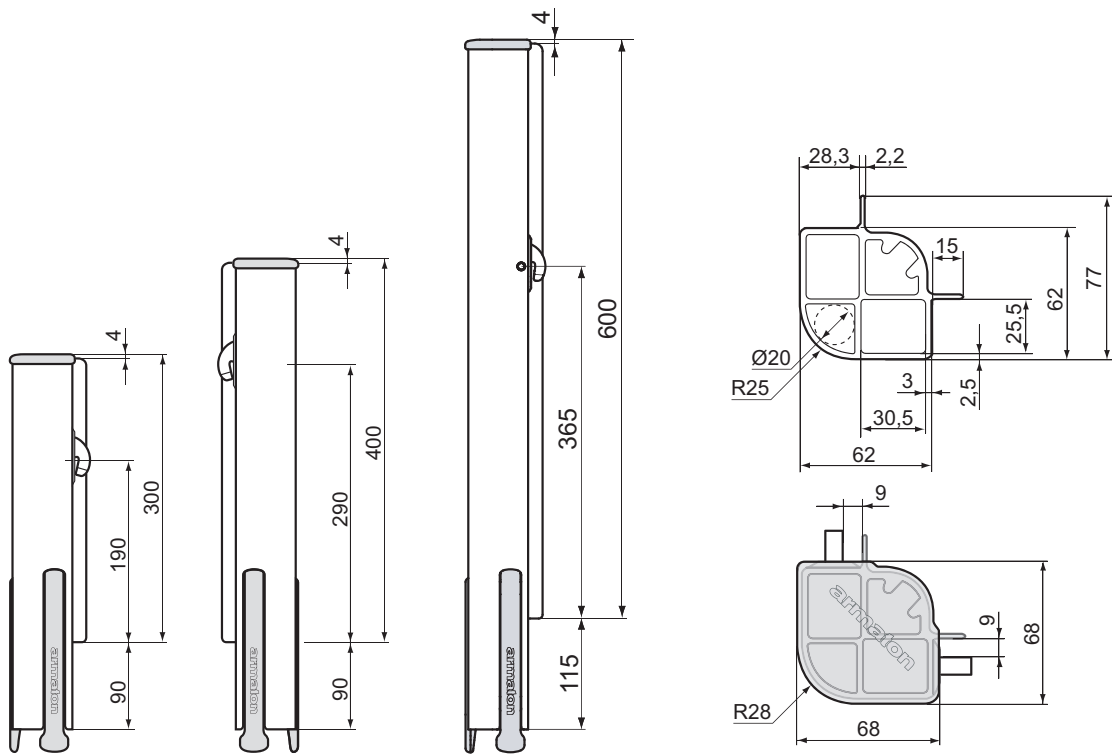
Front pillar, 300 mm/400 mm/600 mm



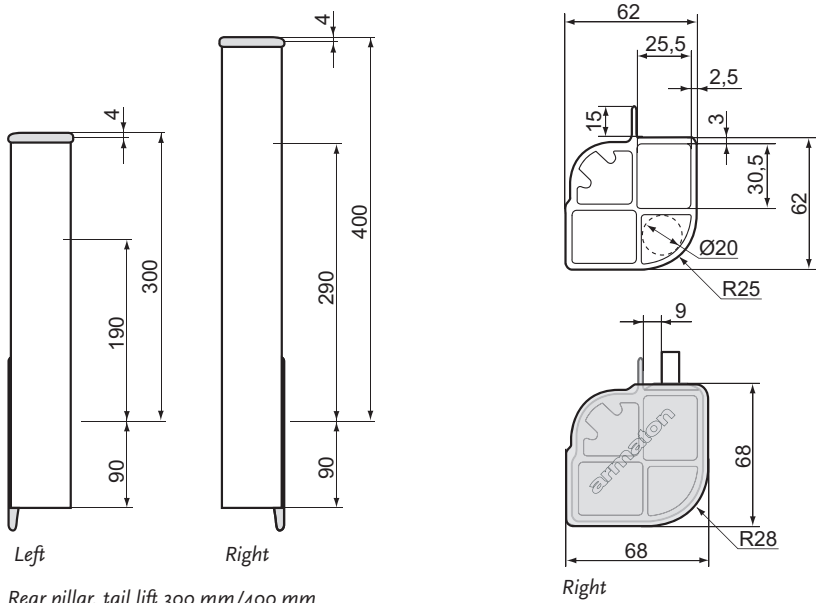
Side pillar symmetrical, 300 mm/400 mm/600 mm

## Specifications

| Description                    | Weight  | Part no   | Description   | Weight  | Part no   |
|--------------------------------|---------|-----------|---|---------|-----------|
| <b>300 mm dropside height:</b> |         |           | <b>600 mm dropside height:</b>                          |         |           |
| Front pillar, left             | 0,7 kg  | 510310004 | Front pillar, left                                      | 1,22 kg | 510310028 |
| Front pillar, right            | 0,7 kg  | 510310005 | Front pillar, right                                     | 1,22 kg | 510310029 |
| Side pillar                    | 1,35 kg | 510310006 | Side pillar   | 2,34 kg | 510310030 |
| <b>400 mm dropside height:</b> |         |           | <b>Armaton 4000 XF is tested in accordance with</b>     |         |           |
| Front pillar, left             | 0,86 kg | 510310010 | <b>Europeisk Standard EN 12642 for vehicles up to a</b> |         |           |
| Front pillar, right            | 0,86 kg | 510310011 | <b>loading capacity of 6000 kg.</b>                     |         |           |
| Side pillar                    | 1,67 kg | 510310012 |   |         |           |



Rear pillar, symmetrical 300 mm/400 mm/600 mm



Rear pillar, tail lift 300 mm/400 mm

## Specifications

### Description

#### 300 mm dropside height:

| Description                      | Weight  | Part no   |
|----------------------------------|---------|-----------|
| Rear pillar, symmetrical         | 1,45 kg | 510310007 |
| Rear pillar for tail lift, left  | 1,25 kg | 510310008 |
| Rear pillar for tail lift, right | 1,25 kg | 510310009 |

#### 400 mm dropside height:

|                                  |         |           |
|----------------------------------|---------|-----------|
| Rear pillar, symmetrical         | 1,73 kg | 510310013 |
| Rear pillar for tail lift, left  | 1,47 kg | 510310014 |
| Rear pillar for tail lift, right | 1,47 kg | 510310015 |

### Description

#### 600 mm dropside height:

|                          |         |           |
|--------------------------|---------|-----------|
| Rear pillar, symmetrical | 2,48 kg | 510310027 |
|--------------------------|---------|-----------|

Armaton 4000 XF is tested in accordance with Europeisk Standard EN 12642 for vehicles up to a loading capacity of 6000 kg.

For edge caps, see Profiles and Attachments.

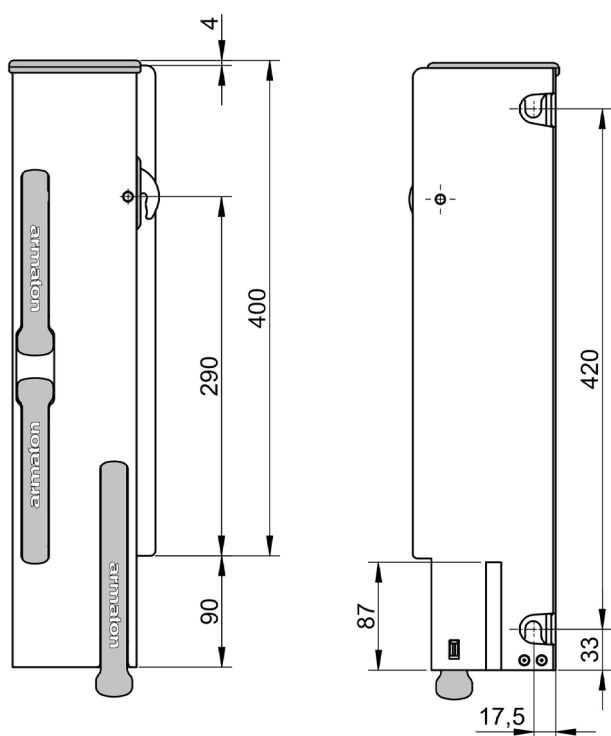
## Armaton 4000 XF Tip pillar

The tip pillar is mounted on the edge of the side rave, which gives a smooth inside surface where no goods get stuck during tipping. The tip pillar has three mechanisms, two combined as hinges and one for locking the dropside, which provide a compact, ergonomic and weight-optimized solution.

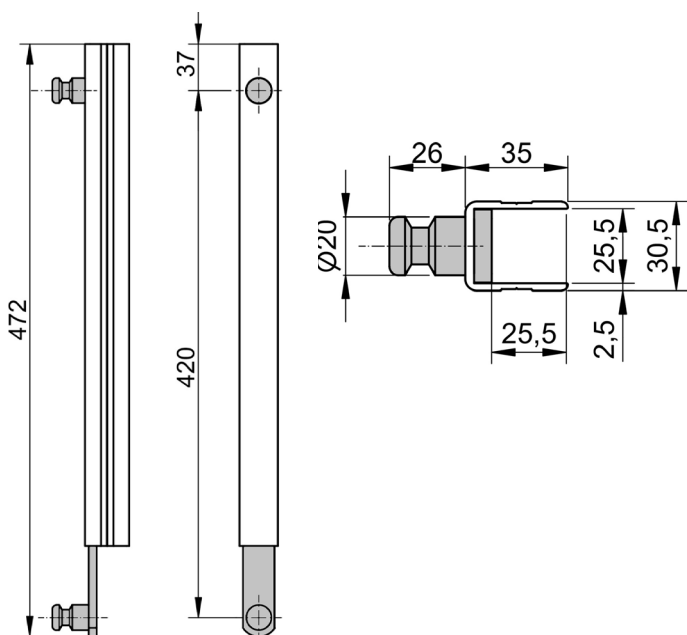
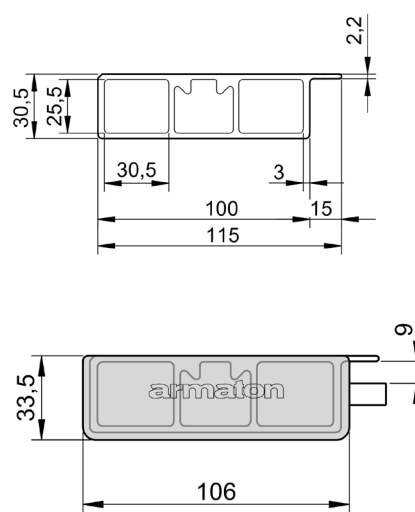
**The rear mechanism** has two functions:

1. To open the rear dropside as usual. The pendulum console then acts as a hinge.
2. To open the rear dropside at the bottom and get a spreader function. The tip pillar is provided with a safety detail that prevents both mechanisms from being opened at the same time.

**The front mechanism** is used when opening the dropside.



Tip pillar (right)



Pendulum console

### Specification

| Description                    | Weight  | Part no   |
|--------------------------------|---------|-----------|
| <b>400 mm dropside height:</b> |         |           |
| Tip pillar, left               | 1,80 kg | 510310023 |
| Tip pillar, right              | 1,80 kg | 510310024 |
| Pendulum console               | 0,92 kg | 510310033 |

Armaton 4000 XF Tip pillar is tested in accordance with Europeisk Standard EN 12642 for vehicles up to a loading capacity of 6000 kg.

