

## Ratchet 35mm LC 1000 daN 134x72mm

---

### Product information



High quality ratchet with wide handle 35mm for lashings.

... [Read more](#)

---

**Material:** Steel

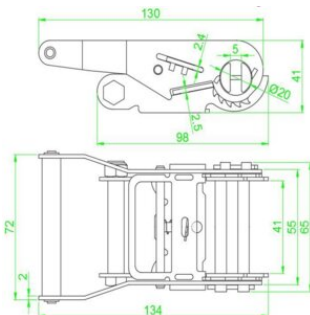
**Marking:** According to standard

**Finish:** Silver, zinc plated

**Standard:** EN 12195-2

## Ratchet 35mm LC 1000 daN 134x72mm

### Blueprint



### Technical data

Part code	LC daN	MBL ton	Band width mm	STF daN	Dimensions mm
210100770	1,000	2	35	200	134x72