

Ratchet Blackline with Silver Screws 25mm LC 400 daN 109x36mm

Product information

High quality ratchet 25mm for lashings. Black Line products, ideal for use in areas where fittings should be invisible.

... [Read more](#)

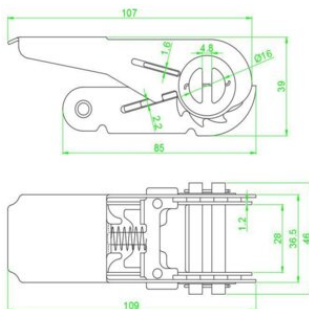


Material: Steel

Finish: Black painted

Ratchet Blackline with Silver Screws 25mm LC 400 daN 109x36mm

Blueprint



Technical data

Part code	LC daN	MBL ton	Band width mm	STF daN	Dimensions mm
210101280	400	0.8	25	150	109 x 36