

Aluminum chain blocks KTS MINI

Product information



Quality and extra small aluminum chain block for professional use with a standard lifting height of 3 meters. Hooks are equipped with swivels. Other lifting heights are available with short lead times from the stock upon request.

... [Read more](#)

Material: Aluminium

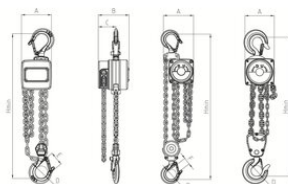
Marking: According to standard, CE-marked

Finish: Painted, white / orange

Standard: EN 13157

Aluminum chain blocks KTS MINI

Blueprint

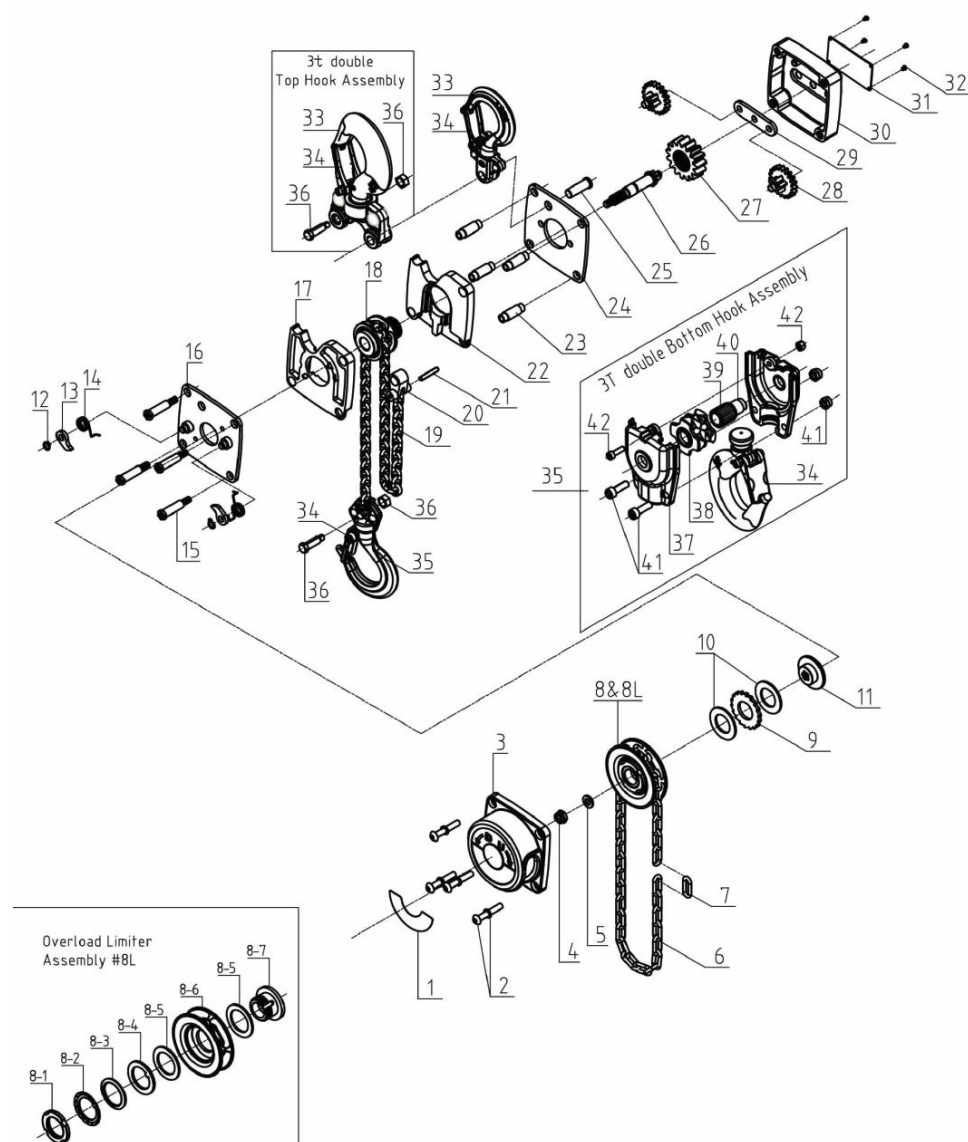


Technical data

| Part code | WLL ton | Lifting height m | Number of falls | Load chain mm | A mm | B mm | C mm | D mm | E mm | F mm | H min mm | Weight kg |
|-----------|---------|------------------|-----------------|---------------|------|------|------|------|------|------|----------|-----------|
| 43050095F | 0.25 | 3 | 1 | 3,2 x 9 | 75 | 77 | 44 | 32 | 35.5 | 21 | 225 | 2.6 |
| 43050096F | 0.5 | 3 | 1 | 4,3 x 12 | 92 | 89 | 51 | 34.5 | 42 | 23 | 265 | 4.6 |
| 43050097F | 1 | 3 | 1 | 5,6 x 15,7 | 110 | 102 | 55 | 42.5 | 49.5 | 27 | 295 | 6.6 |
| 43050098F | 2 | 3 | 1 | 8 x 24 | 145 | 138 | 78.5 | 46.5 | 58.5 | 35 | 390 | 13.5 |
| 43050099F | 3 | 3 | 2 | 7,1 x 19,9 | 165 | 120 | 68 | 50 | 61.9 | 37 | 470 | 17 |

SPARE PARTS

Aluminum chain blocks KTS MINI



Spare part (product code)

Description

Suitable for hoist (product code)

KTS250AKO

Bottom hook

KTS250

KTS250YKO

Top hook

KTS250

KTS250JAR

Brake disc (1 pc)

KTS250

KTS250JAR2

Fused brake disc ass'y | Incl. discs and ratchet wheel, ym. 2025 upgrade

KTS250

KTS250SAL

Hook latch kit (1 pc)

KTS250

KTSKK2512

Hand chain | 2.5 x 12 mm

KTS250

Aluminum chain blocks KTS MINI

| | | |
|-------------|--|---------|
| KTS500AKO | Bottom hook | KTS500 |
| KTS500YKO | Top hook | KTS500 |
| KTS500JAR | Brake disc (1 pc) | KTS500 |
| KTS500JAR2 | Fused brake disc ass'y Incl. discs and ratchet wheel, ym. 2025 upgrade | KTS500 |
| KTS500SAL | Hook latch kit (1 pc) | KTS500 |
| KTSKK3516 | Hand chain 3.5 x 16 mm | KTS500 |
| KTS1000AKO | Bottom hook | KTS1000 |
| KTS1000YKO | Top hook | KTS1000 |
| KTS1000JAR | Brake disc (1 pc) | KTS1000 |
| KTS1000JAR2 | Fused brake disc ass'y Incl. discs and ratchet wheel, ym. 2025 upgrade | KTS1000 |
| KTS1000SAL | Hook latch kit (1 pc) | KTS1000 |
| KTSKK3516 | Hand chain 3.5 x 16 mm | KTS1000 |
| KTS2000AKO | Bottom hook | KTS2000 |
| KTS2000YKO | Top hook | KTS2000 |
| KTS2000JAR | Brake disc (1 pc) | KTS2000 |
| KTS2000JAR2 | Fused brake disc ass'y Incl. discs and ratchet wheel, ym. 2025 upgrade | KTS2000 |
| KTS2000SAL | Hook latch kit (1 pc) | KTS2000 |
| KTSKK4822 | Hand chain 4.8 x 22 mm | KTS2000 |
| KTS3000AKO | Bottom hook | KTS3000 |
| KTS3000YKO | Top hook | KTS3000 |
| KTS3000JAR | Brake disc (1 pc) | KTS3000 |

Aluminum chain blocks KTS MINI

| | | |
|-------------|--|---------|
| KTS3000JAR2 | Fused brake disc ass'y Incl. discs and ratchet wheel, ym. 2025 upgrade | KTS3000 |
| KTS3000SAL | Hook latch kit (1 pc) | KTS3000 |
| KTSKK4822 | Hand chain 4.8 x 22 mm | KTS3000 |
| TALKE3193 | Hoist chain 3,1 x 9,3 mm | KTS250 |
| TALKE4312 | Hoist chain 4,3 x 12 mm | KTS500 |
| TALKE56158 | Hoist chain 5,6 x 15,7 mm | KTS1000 |
| TALKE824 | Hoist chain 8 x 24 mm | KTS2000 |
| TALKE7120 | Hoist chain 7,1 x 19,9 mm | KTS3000 |

Also other spare parts available with a delivery time, ask our sales for more information