

Pendulum console tip pillar 4000XF

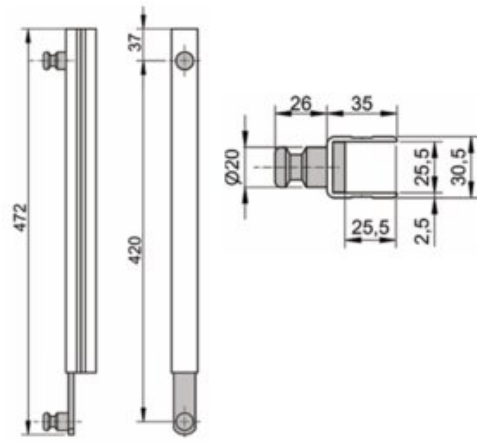
Produktinformation

A practical component mounted on the rear tailgate of a tipper, equipped with a guide system that enables opening in two planes. It allows the tailgate to open from the bottom for rear discharge, as well as from the top in a traditional way. This solution enhances vehicle functionality and facilitates unloading of various materials.



Artikel-Nr.	Modell	Gewicht (kg)	Versand (in Tagen) innerhalb von:
35070011F	Pendulum console	0,95	2

Blaupause



Pendulum console